



Designed to make your environment litterless.



Lassila & Tikanoja specialises in environmental management and property and plant support services and is a leading supplier of wood-based biofuels, recovered fuels and recycled raw materials. With operations in Finland, Sweden, Latvia and Russia, L&T employs 9,400 persons. Net sales in 2011 amounted to EUR 652 million. L&T is listed on NASDAQ OMX Helsinki.



Ellipse
Last seen in
Manchester



Unique
To be seen
in St. Moritz



City
As seen in
Bilbao



Bermuda
Last seen in
Moscow



Oval
Last seen
in Dubai



Archie
Last seen in
Helsingborg

We keep your environment clean (and make it nicer to look at)

Looking for something exquisite? Elegant FinBin litter bins enhance the environment and reduce littering with their discreet Nordic design. These timeless and durable bins are ideal for demanding surroundings where safety and recycling matter. Designed for both outdoor and indoor use, the FinBin range provides the right choice for parks, streets and recreation grounds as well as for offices, passenger terminals, shopping malls and other public buildings.

Different sizes, fastening options and a generous selection of colours offer unlimited opportunities for unique waste collection designs, also for chain stores with integrated design concepts.

Meet our smart litter eaters at www.finbin.fi.

FINBIN®



Bermuda Series >> p. 6



City Series >> p. 8



Ellipse Series >> p. 12



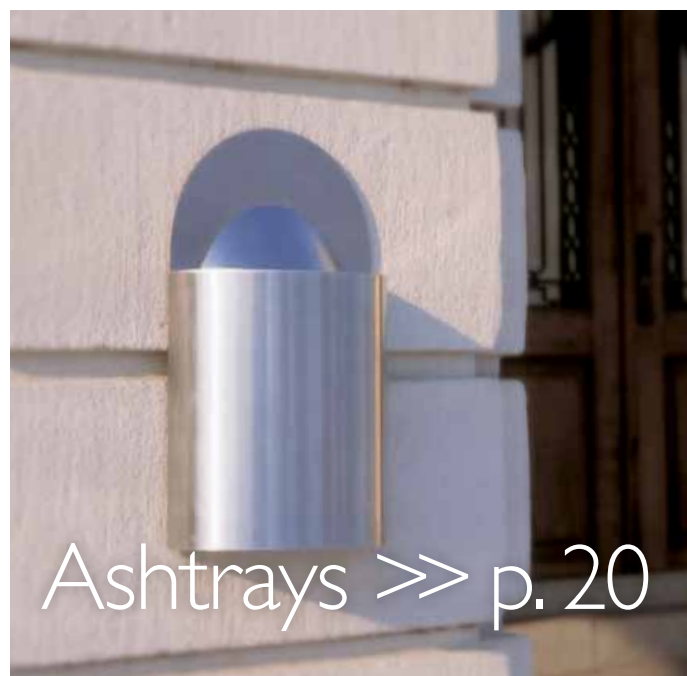
Unique Series >> p. 14



Archie, Oval & Promo >> p. 16



Aika benches >> p. 18

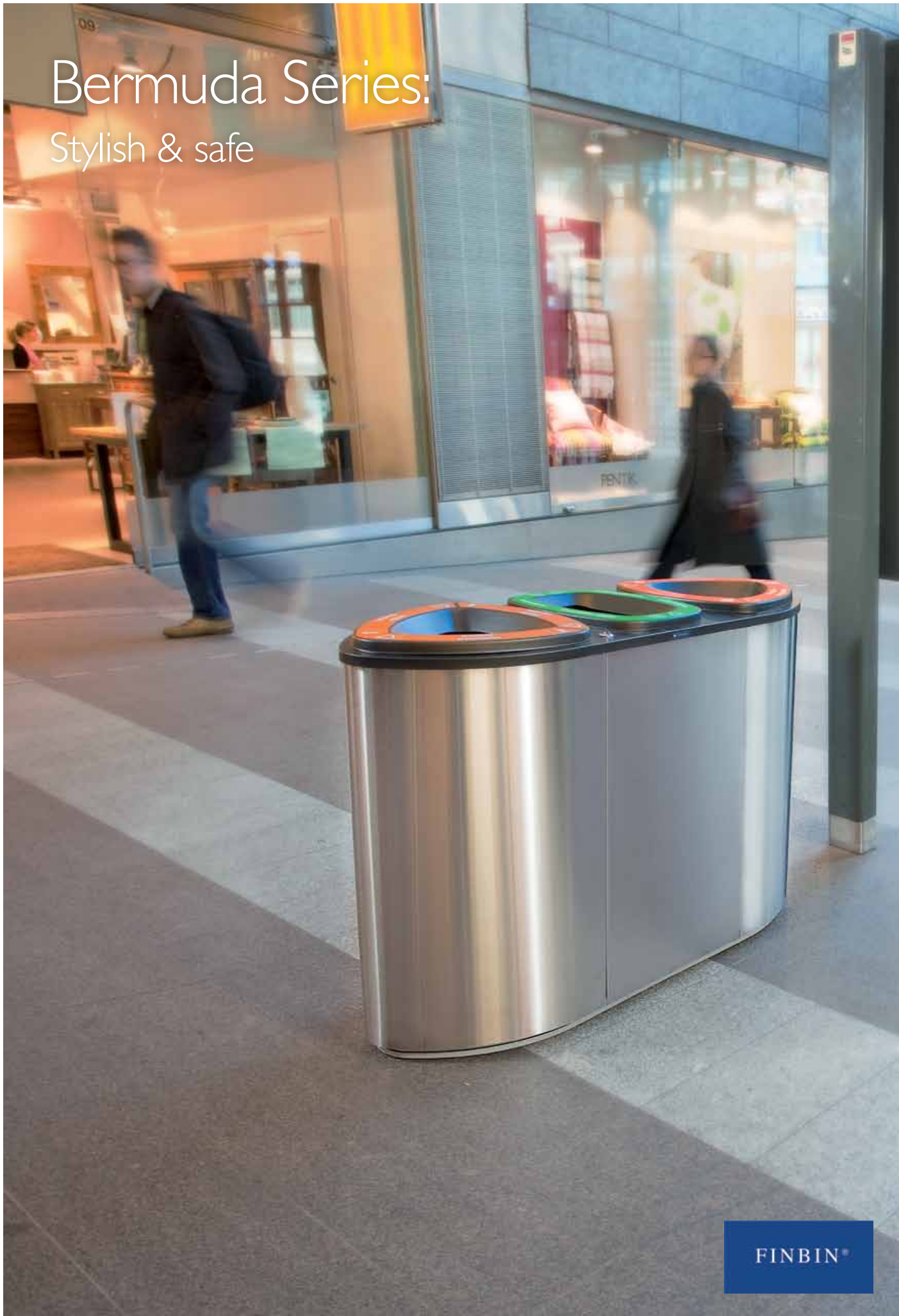


Ashtrays >> p. 20

Content

Bermuda Series	06
City Series	08
Ellipse Series	12
Unique Series	14
Archie, Oval & Promo	16
Aika Benches	18
Ashtrays	20
Fastening alternatives	23
Dimensions	24

Bermuda Series: Stylish & safe



FINBIN®

The FinBin® Bermuda is designed especially for terminals, retail facilities and hotels. The design guides the user to recycle different waste fractions into the right compartments of the bin.

FinBin® Bermuda bins have a special lid construction. The shape of the lid smothers the starting flames and prevents the oxygen supply.

The material and colour can be customized to fit the different surroundings. All Bermudas are equipped with triangular locks, hinged lids and pivoting bag frames.



www.finbin.fi

Bermuda 80



Bermuda 80 is the allround performer of the Bermuda range.

Bermuda Double



Optional sorting labels and inserts guide users to sort different waste fractions into the right compartments of the The FinBin® Bermuda Double. For example, PET bottle collection can be guided with an optional bottle insert.

Bermuda Triple



Just like Bermuda Double, but with an added compartment for more efficient sorting. Optionally, a changeable advertising frame can be included in Bermuda Triple and Quad models.

Bermuda Quad



Collect the most common waste fractions for effective recycling: Bermuda Quad compartments can be nominated e.g. for newspaper and magazines, plastic bottles and general waste. Additional equipment options include e.g. tray racks for fast food service points.

Bermuda Series				
Model	Bermuda Quad	Bermuda Triple	Bermuda Double	Bermuda 80
Meas. (w x d x h)	1560 x 450 x 770 mm	1160 x 450 x 770 mm	860 x 450 x 770 mm	400 x 760 mm
Aperture (Ø)	200 and 217 x 104 mm	200 and 217 x 104 mm	200 mm	200 mm
Weight	66 kg	53 kg	29 kg	13 kg
Capacity	4 x 100 l, four bag frames for 150 l refuse sacks	3 x 100 l, three bag frames for 150 l refuse sacks	2 x 100 l, two bag frames for 150 l refuse sacks	80 l, bag frame for 150 l refuse sack
Material *	Powder coated galvanised steel and sst EN 1.4016	Powder coated galvanised steel and sst EN 1.4016	Powder coated galvanised steel and sst EN 1.4016	Powder coated galvanised steel and sst EN 1.4016
Thickness	1,25/2 mm	1,25/2 mm	1,25/2 mm	1,25/2 mm

Colours



* Sst EN 1.4016 for indoor use only.

City Series

Timeless & functional



FINBIN®

FinBin® City Series was designed and planned jointly with the City of Helsinki Building Department. The product planning was based on studies carried out on how to empty a litter bin easily, safely and efficiently. At the same time, special attention was paid to developing the product's strength against vandalism and other mechanical stress.

The timeless design of the FinBin® City Series fits into any surrounding. Its numerous sizes, fastening options as well as the wide selection of colours offer an abundance of opportunities to build a uniform look that can be repeated where necessary. Products are supplied in stainless steel or powder coated galvanized steel.

The precisely measured shape and size of the aperture makes it easy to use and keeps the rain and birds out. The front door is hinged and locked. Inside there is a galvanised steel liner that is easy and safe to empty.

An eye-catcher model City Castle is easy to approach and helps to keep surroundings clean. The structure is both sophisticated and vandal proof.

All City Series litter bins except City Castle can be equipped with a cigarette disposal unit.

City 30 / City 60



The smallest litter bins in the City Series, City 30 and City 60 are elegant bins with well thought out details.

City 100



With enough capacity to meet the needs of varying environments, City 100 is the real workhorse of the City Series.

City 140



The largest litter bin in the City Series, City 140 has the same strong construction as the other FinBin® City models.



www.finbin.fi

City Series				
Model	City 30	City 60	City 100	City 140
Measurements (Ø x h)	315 x 580 mm	400 x 710 mm	400 x 870 mm / 930 mm with base	460 x 890 mm / 960 mm with base
Aperture (w x h)	200 x 100 mm	260 x 120 mm	260 x 120 mm	300 x 120 mm
Weight	13 kg	26,5 kg	33 kg	38,5 kg
Liner	22 l	50 l	62 l	91 l
Liner in ashtray version	16 l	35 l	47 l	80 l
Material	Powder coated galvanised steel or sst EN 1.4301	Powder coated galvanised steel or sst EN 1.4301	Powder coated galvanised steel or sst EN 1.4301	Powder coated galvanised steel or sst EN 1.4301
Material thickness	2 mm	2 mm	2 mm	2 mm
Accessories	Fire safety unit, integrated ashtray	Fire safety unit, integrated ashtray	Fire safety unit, integrated ashtray	Fire safety unit, integrated ashtray

Fastening alternatives – See page 23

Colours



City Castle



The queen of the timeless City series is City Castle – a sophisticated solution for both traditional and modern environments. The strong but airy structure prevents vandalism and graffiti effectively.

City Doggy



City Doggy can be placed in dog parks and along dog-outing routes. City Doggy has an aperture with a steel flap on a secure metal chute. This ensures the hygienic disposal of the dog waste, diminishes smell and prevents the contents from displaying when using the bin. When the flap is closed, the waste drops into the liner. A bag dispenser is available as an additional option.

City Combi 60

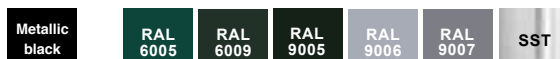


City Combi 60 is a litter bin with a separate tube-formed, easy to empty cigarette disposal unit. Most FinBin® City fastening alternatives can be used with this model – in fact you can easily upgrade your existing City litter bin with Combi ashtray!

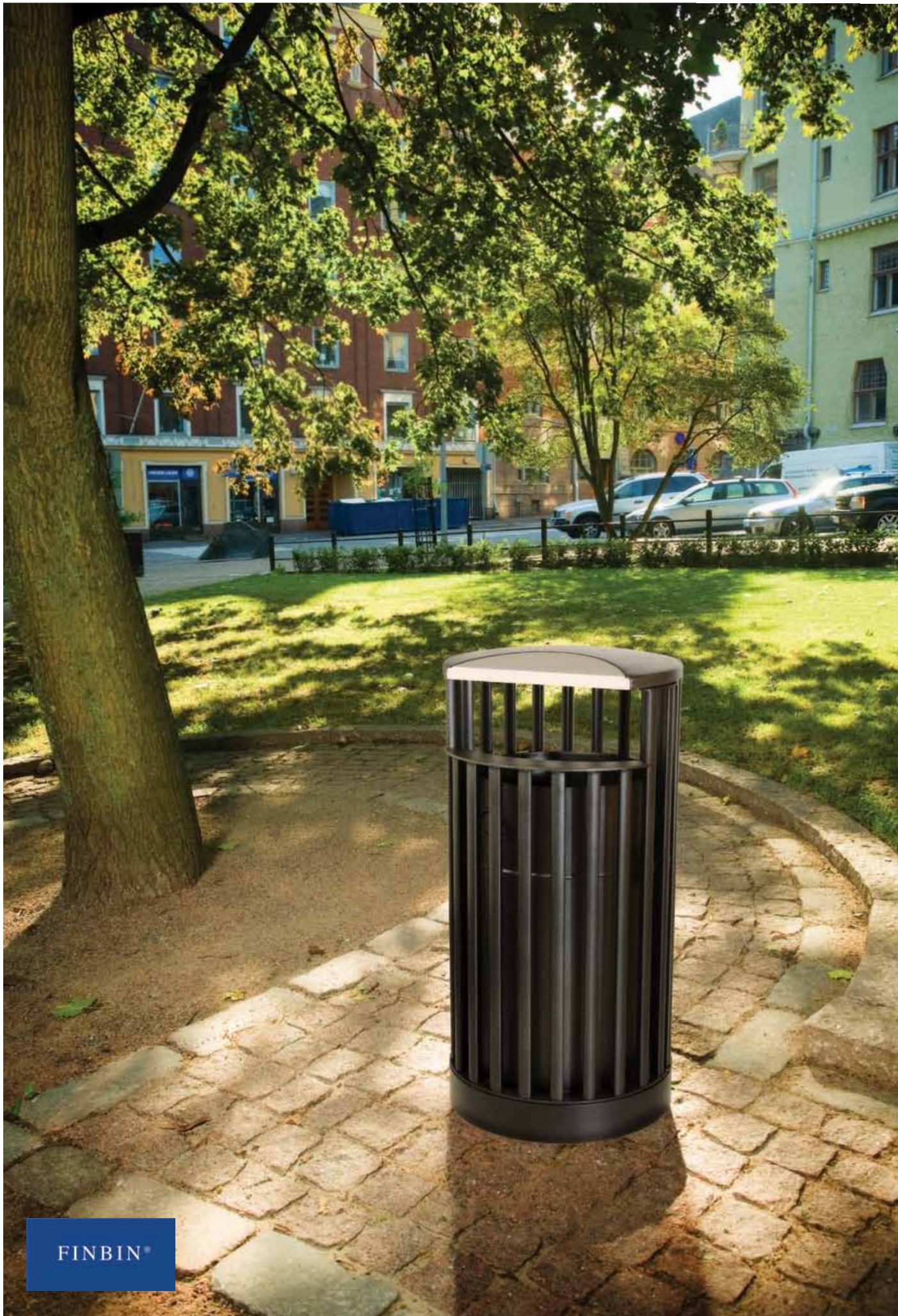


City Series			
Model	City Castle	City Doggy	Combi Ashtray
Measurements (Ø x h)	460 x 900 mm	400 x 715 mm	125 x 493 mm
Aperture (w x h)	364 x 130 mm	260 x 117 mm	25 mm
Weight	35 kg	28 kg	4,5 kg
Liner	72 l	47 l	4,5 l
Material	Powder coated galvanised steel or sst EN 1.4301	Powder coated galvanised steel or sst EN 1.4301	Powder coated galvanised steel or sst EN 1.4301
Material thickness	1,5 / 5 mm	2 mm	1,25 mm
Fastening alternatives – See page 23			

Colours



www.finbin.fi



FINBIN®

Ellipse Series

Innovative & detailed



FINBIN®

The shape of Ellipse represents the most innovative design in the FinBin® Litter Bin Series – and the most FinBin® fastening alternatives can be used!

The precisely measured shape and size of the aperture keeps the rain and birds out. The hinged door opens side-ways, at the same time removing the top providing free access for maintenance.

Ellipse 60 and 100 can be equipped with a cigarette disposal unit. The ashtray is placed on top of the litter bin for easy access. The ash container is made in stainless steel and can be emptied by opening the front door and unhooking the container from its hook.

Solid and durable, Ellipse bins are supplied in stainless steel or powder coated galvanised steel.

Ellipse Metropol



Ellipse Metropol is the right solution for streets and parks. Modern outlook and sufficient capacity helps to keep the city environment stylish and tidy.

Ellipse 60



Ellipse 60 is at home where style is needed.

Ellipse 100



The biggest in Ellipse series, stainless steel Ellipse 100 was awarded with the Finnish sheet metal design prize Plootu Fennica 2010 for its practical design and ease of use.



www.finbin.fi

Ellipse Series			
Model	Ellipse 100	Ellipse 60	Ellipse Metropol
Measurements (w x d x h)	450 x 350 x 900 mm, 960 mm with base	450 x 350 x 710 mm, 930 with base	400 x 380 x 690 mm
Aperture (w x h)	300 x 140 mm	300 x 140 mm	270 x 130 mm
Weight	31 kg	20 kg	17,5 kg
Liner	56 l	40 l	50 l
Material	Powder coated galvanised steel and sst EN 1.4301	Powder coated galvanised steel and sst EN 1.4301	Powder coated galvanised steel and sst EN 1.4301
Material thickness	2 mm	2 mm	1,25 / 2 mm
Accessories	Integrated ashtray	Integrated ashtray	-

Fastening alternatives – See page 23

Colours



Unique Series

Contemporary & distinguished



FINBIN®

Thanks to their contemporary design, the Unique Series bins are the right choice for even the most demanding surroundings.

The standard material is stainless steel, which gives a distinguished appearance and durability – but if needed, a Unique bin can be supplied in galvanised powder coated steel.

Unique Series bins can be equipped with a recycling mask for selective collection of different waste fractions: e.g. paper and PET bottles. The bins have either a liner or a bag frame and can be fitted with a cigarette disposal unit. Also available with an adjustable base, which allows for upright fitting on a tilted floor.

Unique 100



The shape of the lid gives good protection against rain and animals. The front door is locked and hinged.

Unique 140



The round shape makes Unique 140 vandal-proof and its well-planned details ensure easy use. The shape of the lid gives good protection against rain and animals. The front door is locked and hinged.



www.finbin.fi

Unique Series		
Model	Unique 100	Unique 140
Measurements (Ø x h)	400 x 990 mm	460 x 990 mm
Aperture (w x h)	260 x 140 mm	300 x 140 mm
Weight	35 kg	41 kg
Liner	56 l	91 l
Material	Powder coated galvanised steel or sst EN 1.4301	Powder coated galvanised steel or sst EN 1.4301
Material thickness	2 mm	2 mm
Accessories	Integrated ashtray	Integrated ashtray
Fastening alternatives - See page 23		

Colours



Archie, Oval & Promo

Economy & durability



Other FinBin® models include the top sellers of the range, Archie and Oval. They are simple, yet functional and durable designs, which are at home where ever they are – indoors or outdoors.

The new Promo highlights its double functionality with simplicity and style. It is a perfect solution in places where clean environment and advertising both belong to the style and atmosphere.

Archie 150



The bin can be used from both sides. When emptying the bin, you turn the hinged arch up and open the hinged door to change the sack. Thousands of Archies have been sold for use in shopping centres and supermarkets. Customisation by colour: A separate cigarette disposal unit Archie Ashtray completes the setup.

Oval 150



An elegant litter bin for indoor and outdoor use. The front of the bin is a hinged door that can be locked. Inside, there is either a steel liner with handles or a bag frame for a 150 l sack. Oval is also available with two apertures, one at the front and one at the back. Oval can be supplied with a fire safety system.

Promo



Promo is at home in urban surroundings. It provides a stylish combination of easy to change advertising space and approachable waste collection point. Promo has two apertures and has a steel liner with handles for 85 liter sack.



www.finbin.fi

Other Series

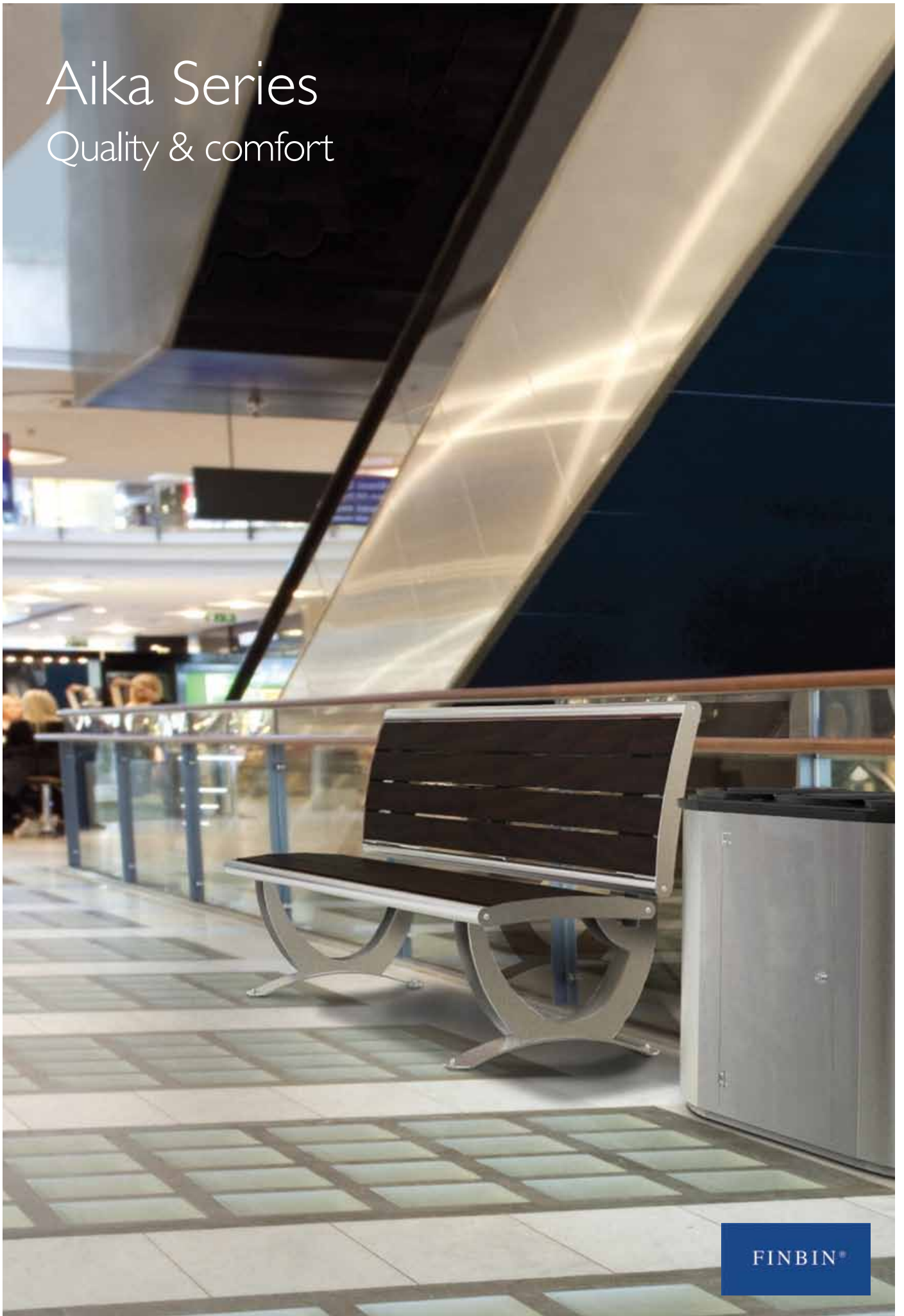
Model	Oval 150	Archie 150	Promo
Measurements (w x d x h)	550 x 410 x 1040 mm	390 x 480 x 1170 mm	555 x 1065 mm
Aperture (w x h)	160 x 180 mm	385 x 200 mm	470 x 130 mm
Weight	30 kg	25 kg	50 kg
Capacity	Liner: 63 l or Bag frame: for 150 l refuse sacks	Bag frame: for 150 l refuse sacks	85 l
Material	Powder coated galvanised steel and sst EN 1.4301	Powder coated galvanised steel	Powder coated galvanised steel
Material thickness	1,25 mm	1,25 mm	2/1,25 mm

Colours

RAL 6005	RAL 6009	RAL 9005	RAL 6005	RAL 6009	RAL 9005	Metallic black
SST	RAL 9006	RAL 9007	RAL 9006	RAL 9007		

Aika Series

Quality & comfort



FINBIN®

Aika Bench has been created by Industrial Designer Henri Sydänheimo for high-quality public facilities. Aika Bench is comfortable, light in appearance but not easy to move. You can choose either powder coated steel or stainless steel as frame material. The wooden parts are made of dark brown varnish stained birch. Aika Bench is available with or without a backrest. Armrests are available as accessories.

The form of Aika Bench goes well with the Bermuda Series litter bins.

Aika Bench



Aika Bench with a backrest sits well in high-quality environments.

Aika Backless Bench



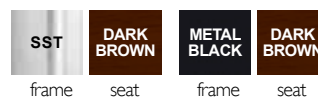
Aika Backless Bench is a lighter option for places where you need to use benches from both sides.



www.finbin.fi

Aika Series		
Model	Aika Bench	Aika Backless Bench
Dimensions (w x d x h)	1,800 x 650 x 950 mm	1,820 x 650 x 460 mm
Weight	71 kg	38 kg
Material	Powder coated structural steel or sst, and stained birch	Powder coated structural steel or sst, and stained birch
Accessories	armrest	armrest
Fastening	anti-slip feet or fixing holes	anti-slip feet or fixing holes

Colours



Ashtrays

Tidy & handy



FINBIN®

The FinBin® Litter Bin Series offer a variation of cigarette disposal units for taking care of the environment in smoking areas. Functional but elegant and graceful designs have been carefully considered to make sure that the ashtrays are neat, easy to use and empty.

There are stylish models for both indoors and outdoors use from free standing units to posts and versatile fastening options to inner and outer walls. The material is durable stainless steel and designs resemble FinBin® litter bin designs.

Ashley Ashtrays



The inclined top of elegant Ashley Ashtray makes it easy to stub the cigarette and drop it into the aperture. It also prevents snow from gathering and water from dripping into the unit. The small aperture and the tight construction smother burning cigarette ends. Two sizes. Emptying through a lockable bottom flap.

Colibri



The graceful cigarette disposal unit Colibri is easy to place e.g. at bus stops or entrances. The small aperture and tight construction smother burning cigarette ends. The roof shelters the small aperture so that no water can enter the unit. Lockable liner, removable from the bottom.

Aula



Aula is a smoothly rounded cigarette disposal unit with matt gloss for sophisticated walls. The design makes it easy to stub a cigarette and lets it fall into the ample aperture. Lockable liner, removable from the bottom.

Archie Ashtray



Archie Ashtray is a free-standing combination of a cigarette disposal unit and a litter bin for outdoor use. Its top arch shelters the stubbing plate and the cigarette disposal unit from rain. The lower part of the unit acts as a litter bin.



www.finbin.fi

Ashtrays				
Model	Ashley Ashtrays	Colibri	Aula	Archie Ashtray
Measurements (Ø x h)	85 x 350 / 600 mm	125 x 370 mm	240 x 390 x 100 mm	235 x 285 x 675 mm
Aperture (w x h)	30 mm	25 mm	180 x 65 mm	180 x 80 mm
Weight	1,5 / 2 kg	3,5 kg	3,5 kg	7,5 kg
Capacity/liner	1,8 / 3,5 l	3 l	2,5 l	25 l
Material	sst EN 1.4301	sst EN 1.4301	sst EN 1.4301	Powder coated galvanised steel and sst EN 1.4301
Material thickness	1,5 mm	1,25 mm	1,25 mm	1,25 mm

Colours



Grate



A free-standing cigarette disposal unit for outdoor use. The holes in the plate prevent litter from entering the container, but are just right for cigarette ends. The lower part of the unit acts as a litter bin. The top part is made in stainless steel and the body is powder coated.

City Hotbin



City Hotbin is the cigarette disposal unit for heavily populated surroundings. It can be used together with the other City Series litter bins. All FinBin® City 30 fastening alternatives can be used with City Hotbin.

Volcano



Volcano is a free standing cigarette disposal unit for most demanding surroundings both outdoors and indoors. The large ash container allows for reasonably spaced emptying intervals in even the most crowded of circumstances.

The holes in the plate prevent litter from entering the container, but are just right for cigarette ends. The Volcano has a fire safety lid which smothers possible fire. Available also with an integrated litter bin unit.



Ashtrays

Model	Grate	City Hotbin	Volcano
Measurements (Ø x h)	230 x 600 x 320 mm	315 x 420 mm	315 x 790 mm
Aperture (w x h)	150 x 95 mm	220 x 90 mm, Ø 14 mm holes	135 x 235, Ø 16 mm holes
Weight	8 kg	11 kg	19 kg
Liner	32 l	12 l	16 l
Material	Powder coated galvanised steel and sst EN 1.4301	sst EN 1.4301	sst EN 1.4301
Material thickness	2 mm	2 mm	2 mm

Colours



FINBIN®

www.finbin.fi

FinBin® Fastening Alternatives



		METAL BASES					WALL FIXTURES		
Model		City 30 Metal Base	City 60/100 Metal Base	City 140 Metal Base	Ellipse 60 Metal Base	Ellipse 100 Metal Base	City 100/140 Wall Fixture	City 30/60 Wall Fixture	Ellipse Metropol Wall Fixture
Measurements		Ø 280 x h. 127 mm	Ø 365 x h. 82 mm	Ø 430 x h. 84 mm	w. 445 x h. 253 x d. 330 mm	w. 445 x h. 86 x d. 330 mm	w. 169 x h. 790 x d. 26,6 mm	w. 169 x h. 365 x d. 27 mm	w. 410 x h. 50 x d. 200 mm
City Series	30	■						■	
	60		■					■	
	100		■				■		
	140			■			■		
	Combi 60		■					■	
	Doggy		■					■	
	Hotbin							■	
Ellipse Series	60				■			■	
	100					■	■		
	Metropol								■
Unique Series	100		■				■		
	140			■			■		

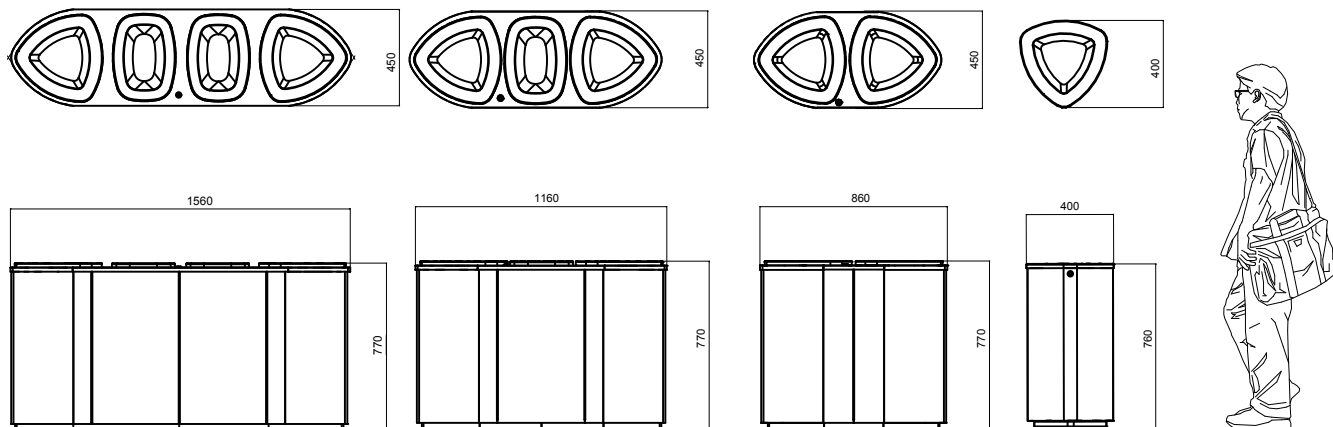


		POSTS										
Model		City 30/60/ HotBin Flange Post	City 30/60/ Hotbin Ground Post	City 30/60/ Hotbin Plate Post	City 30 Vaulted Post with Flanges	City 30 Vaulted Ground Post	City 30 Vaulted Plate Post	City 60 Vaulted Post with Flanges	City 60 Vaulted Ground Post	City 60 Vaulted Plate Post	City 30/60/ Hotbin Clamps	Ellipse Metropol Ground Post
Measurements		Ø 60/160 x h. 900 mm	Ø 60 x h. 1200 mm	Ø 60/450 x h. 900 mm	Ø 42/160 x h. 1350 x w. 585 mm	Ø 42x h. 1840 x w. 467 mm	Ø 42 x h. 1350 x w. 490 x d. 405 mm	Ø 48/160 x h. 1350 x w. 538 mm	Ø 48x h. 1840 x w. 538 mm	Ø 48 x h. 1350 x w. 560 x d. 470 mm	Ø 60	Ø 40 x h. 1220 x w. 500 mm
City Series	30	■	■	■	■	■	■				■	
	60	■	■	■				■	■	■	■	
	100											
	140											
	Combi 60	■	■	■							■	
	Doggy	■	■	■				■	■	■	■	
	Hotbin	■	■	■	■*	■**	■*				■	
Ellipse Series	60	■	■	■							■	
	100											
	Metropol											■
Unique Series	100											
	140											

* h. 1200 mm** h. 1700 mm

FinBin® dimensions

Bermuda Series



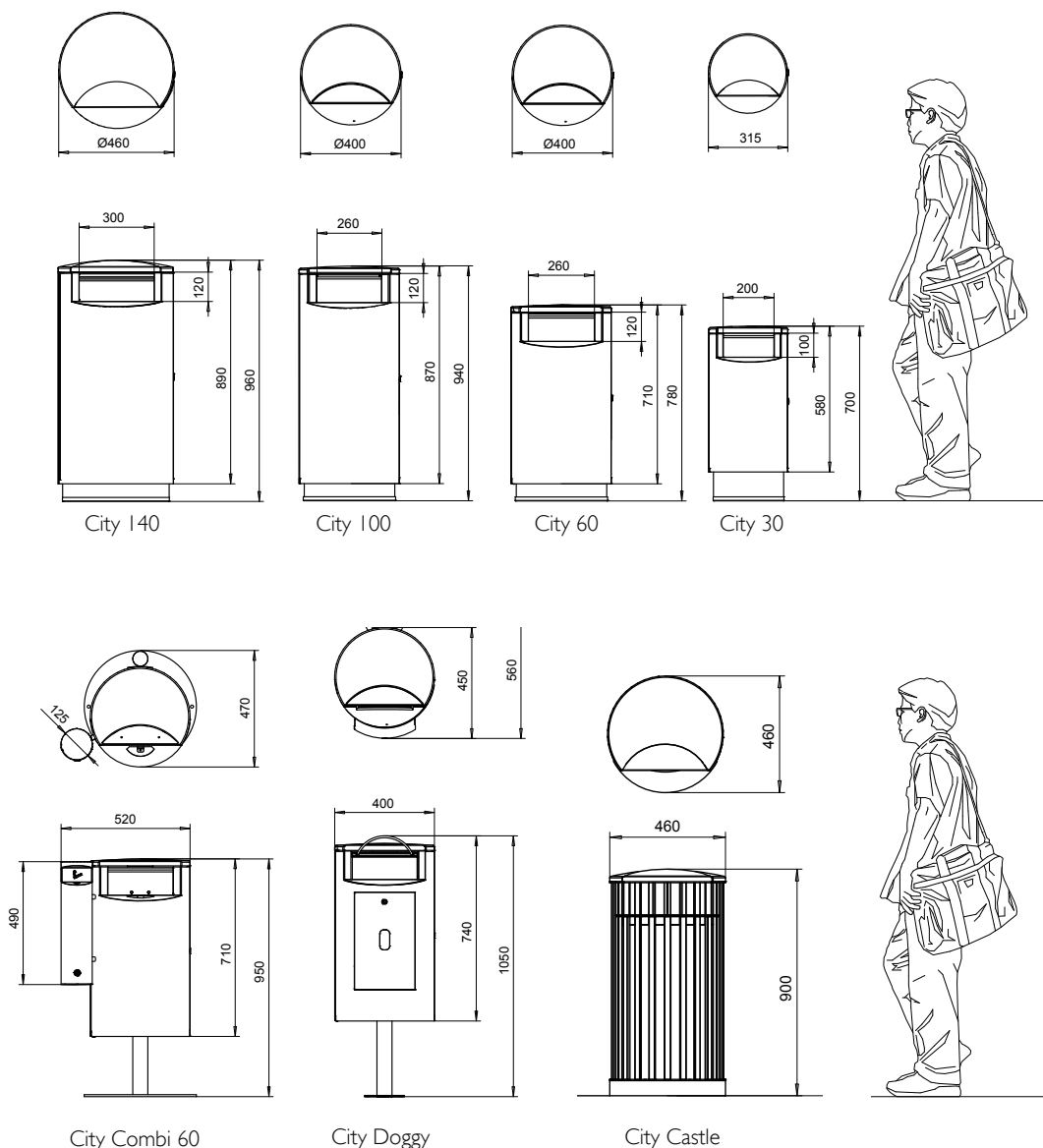
Bermuda Quad

Bermuda Triple

Bermuda Double

Bermuda 80

City Series



City 140

City 100

City 60

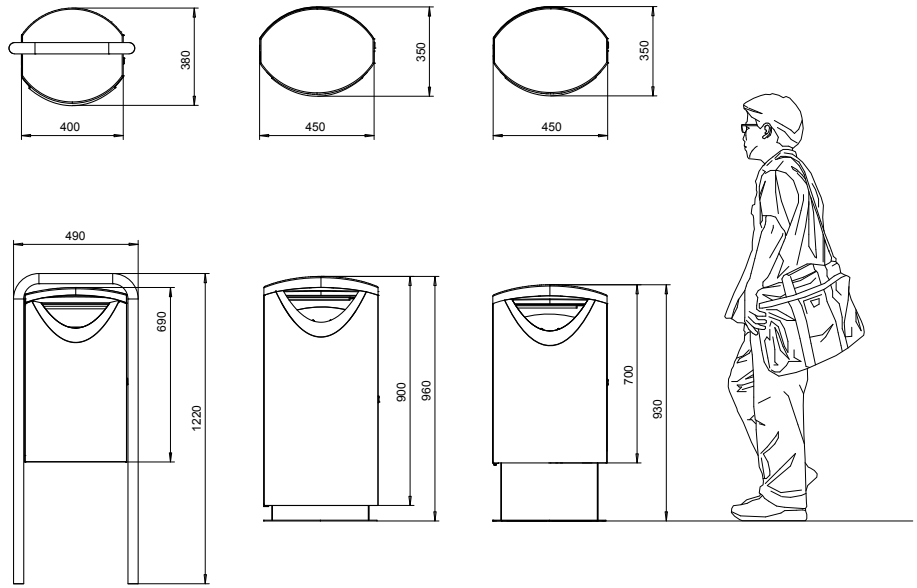
City 30

City Combi 60

City Doggy

City Castle

Ellipse Series

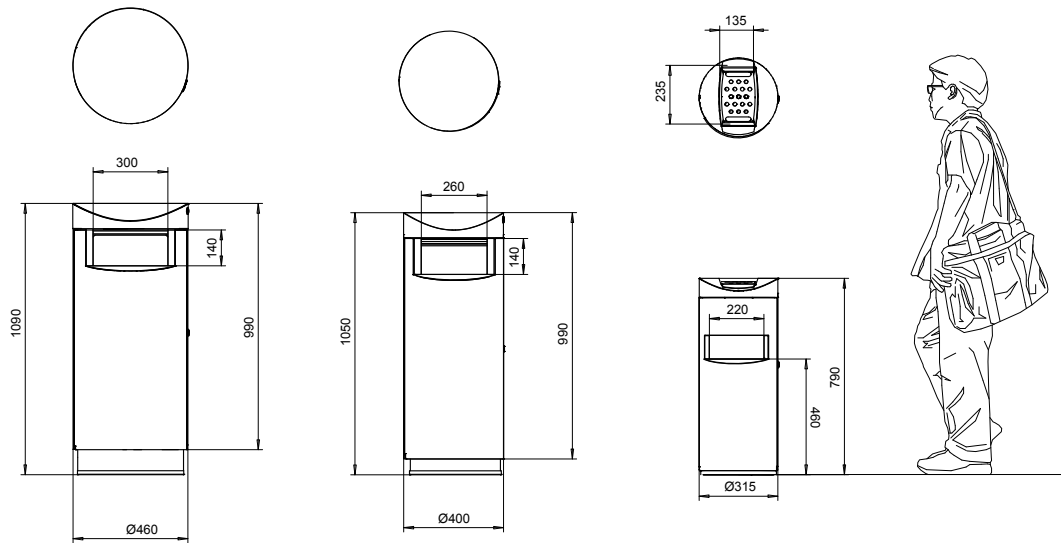


Ellipse Metropol

Ellipse 100

Ellipse 60

Unique Series

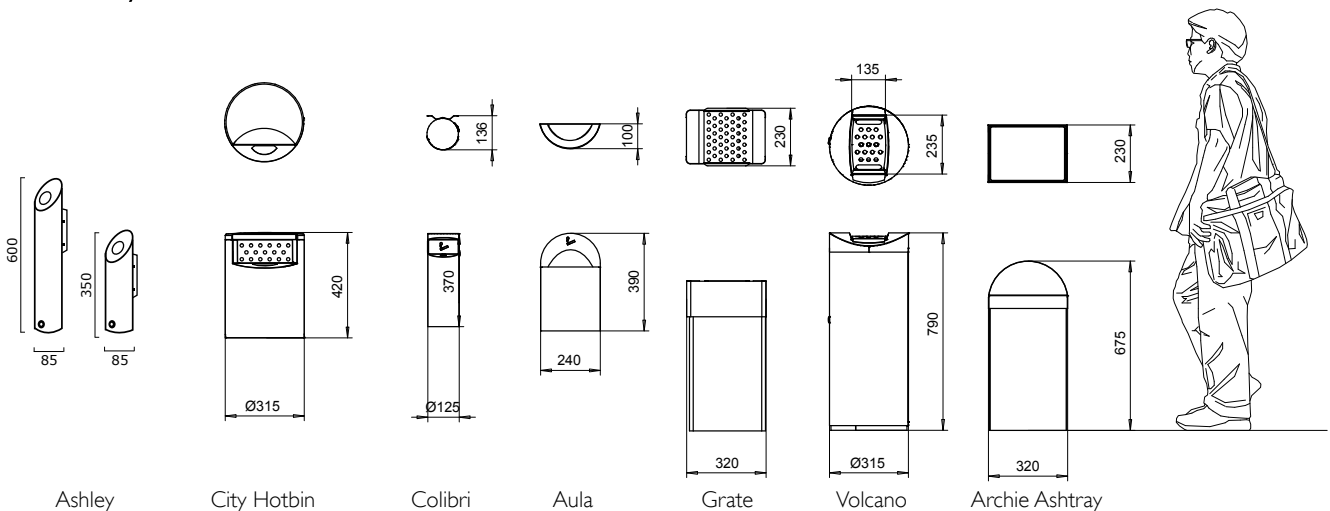


Unique 140

Unique 100

Volcano

Ashtrays



Ashley

City Hotbin

Colibri

Aula

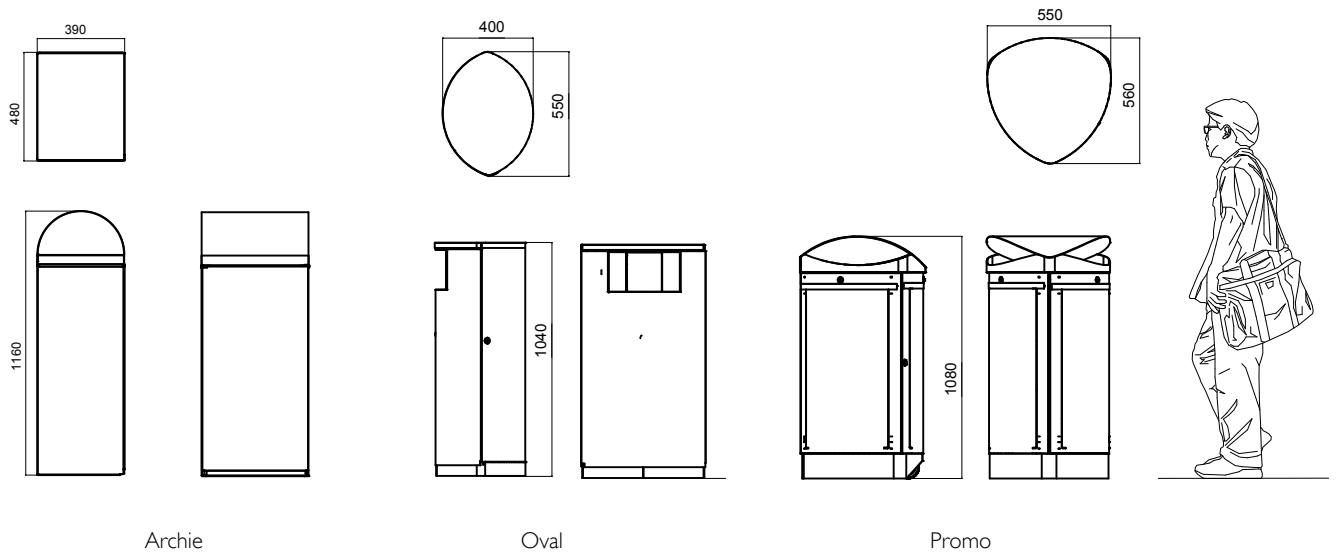
Grate

Volcano

Archie Ashtray

FinBin® dimensions

Archie, Oval & Promo

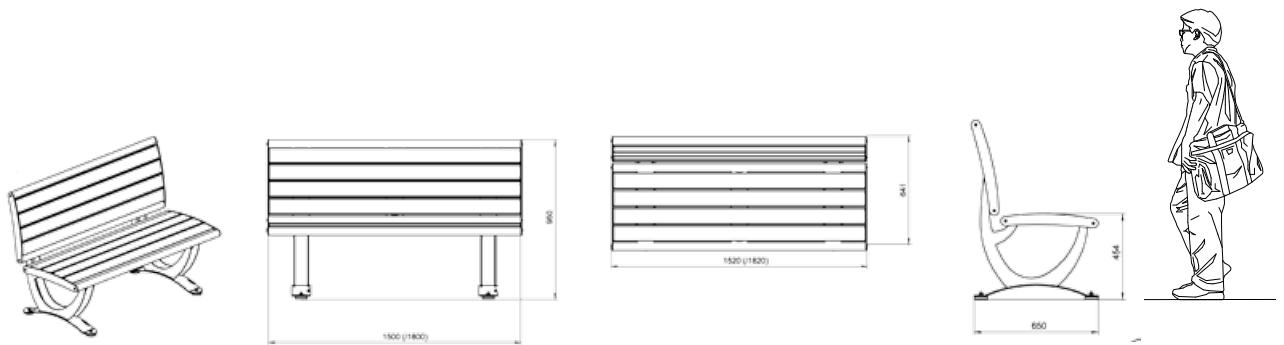


Archie

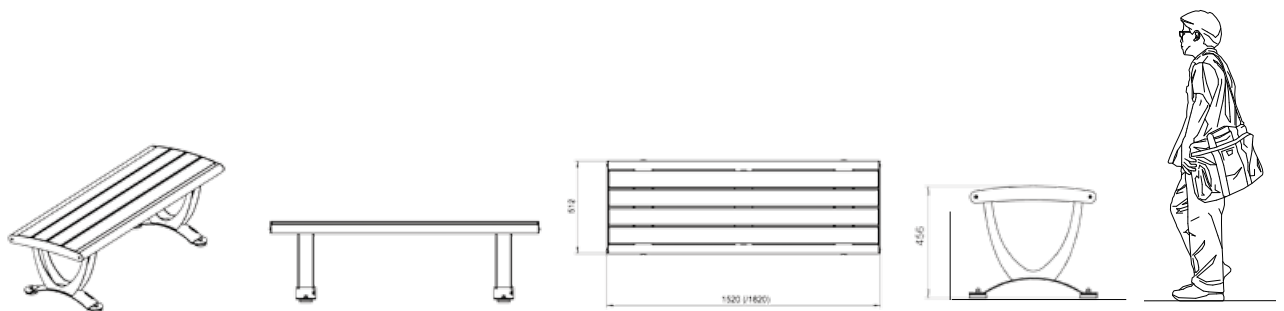
Oval

Promo

Aika Benches



Aika Bench



Aika Backless Bench

We keep your environment clean
(and make it nicer to look at)



Our wide range of innovative environmental products are used in 24 countries.